

### PRESENTATION:

Solenoid valve designed for a fluid output proportional to voltage change.  
Minimum operational pressure is not required.  
Mounting in any position.  
Material used and tests carried out ensure reliability and long life time.

### TECHNICAL FEATURES:

Max. allowable pressure (PS) 40 bar  
Environment temperature:  
with coil class **F** and high temperature - 10°C + 60°C  
with coil class **H** - 10°C + 80°C

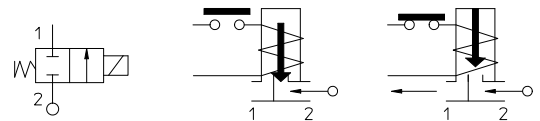
#### Proportional response features:

Hysteresis < 5%  
Repeatability < 3%  
Sensitivity < 2%

Tensions range: 0-24 VDC  
24 VDC impulse range modulation (600 ÷ 800 Hz),  
(see general information:proportional S.V. operation).  
These solenoid valves are not suitable for stagnating fluids, or for fluids that being subject to evaporation may deposit solid, calcareous or similar residues.

PIPES: G 1/4

COILS:  
8W - Ø 13  
BDA - BDS - BSA 155°C (class F)  
BDP 160°C (high temperature)  
BDF - BDV 180°C (class H)  
12W - Ø 13  
UDA 155°C (class F)

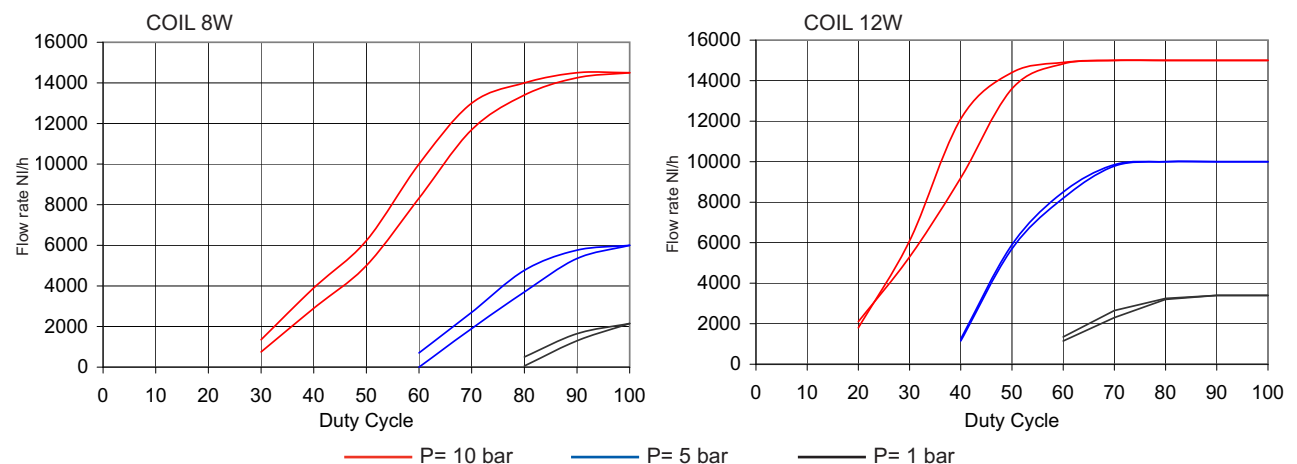


### MOULDING AND BOBBIN ARE MADE BY 100% VIRGIN MATERIAL.

Gaskets	Temperature	Medium
V=FKM (fluoroelastomer)	- 10°C +140°C	Water, inert gas, mineral oils (3°E), gasoline

Pipe ISO 228/1	Code	Max viscosity		Ø mm	Kv l/mn	Power (watt)	Pressure		
		cSt	°E				min bar	M.O.P.D. AC bar DC bar	
G 1/4	21A2KCV20-10	21	~ 3	2	2	8 / 12	0	-	10

### SOLENOID VALVE CALIBRATED AT 10 bar - Flow rate in air



**Note** Also available with brass body without lead.

The "ODE" reserves the right to carry out technical and aesthetic modifications without prior notification.

### MATERIALS:

<b>Body</b>	Brass - UNI EN 12165 CW617N
<b>Armature tube</b>	Stainless steel AISI series 300
<b>Fixed core</b>	Stainless steel AISI series 400
<b>Plunger</b>	Stainless steel AISI series 400
<b>Spring</b>	Stainless steel AISI series 300
<b>Ring guide</b>	PTFE
<b>Orifice</b>	Brass - UNI EN 12165 CW617N
<b>Seal</b>	V=FKM
<b>Gasket</b>	V=FKM

### On request:

<b>Connector</b>	Pg 9 or Pg 11
<b>Connector conformity</b>	ISO 4400

### FEATURES:

<b>Electrical conformity</b>	IEC 335
<b>Protection degree</b>	IP 65 EN 60529 (DIN 40050) with coil fitted by connector.

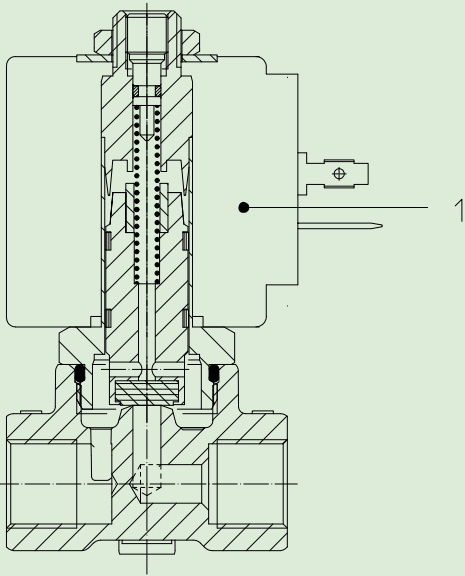
### SPARE PARTS:

#### 1. Coil:

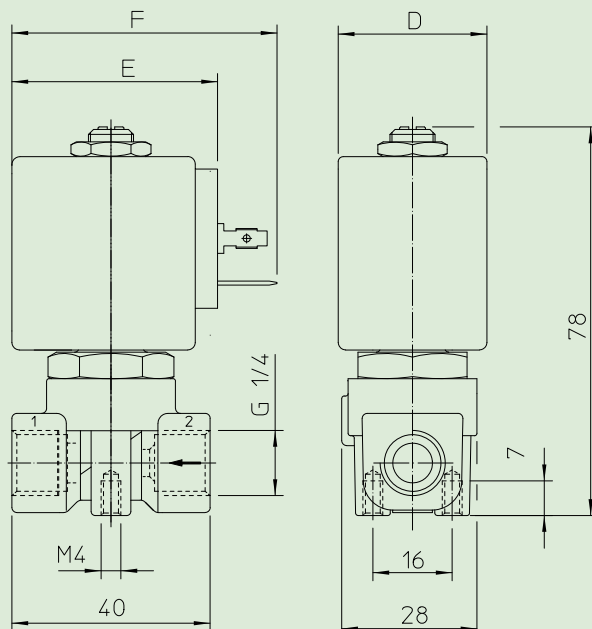
See coils list

### KIT:

KT130KCV55-I



### DIMENSIONS:



COIL	TYPE	DIMENSIONS		
		D mm	E mm	F mm
8 W	B	30	42	54
12 W	U	36	48	60